

BOURNS® TEL-NOTES

Mobile Broadband Power Supplies



REMOTE RADIO HEAD DC POWER SUPPLY Overvoltage Protection for Mobile Broadband Infrastructure

Objective

The DC supply to a remote radio head requires robust and extremely reliable surge protection. Sensitive electronics must be protected from severe overvoltage conditions. The Bourns® SMD Power TVS Diode offers bidirectional overvoltage protection for DC power supplies through a reliable clamping action.

Solution

1 Power TVS (PTVS) Diode: PTVS3-076C-SH

Features & Benefits

The highlighted device supports a standoff voltage of 76 V. Surge voltages are clamped at a low level above this voltage. The device is RoHS compliant* and handles repeated surges with a peak of 3 kA (per IEC 61000-4-5, 8/20 μ s). The reduced inductance of the SMD package leads results in superior clamping performance.

Note: Additional voltage and current ratings are available.

*RoHS Directive 2002/95/EC Jan. 27, 2003 including annex and RoHS Recast 2011/65/EU June 8, 2011.

Product

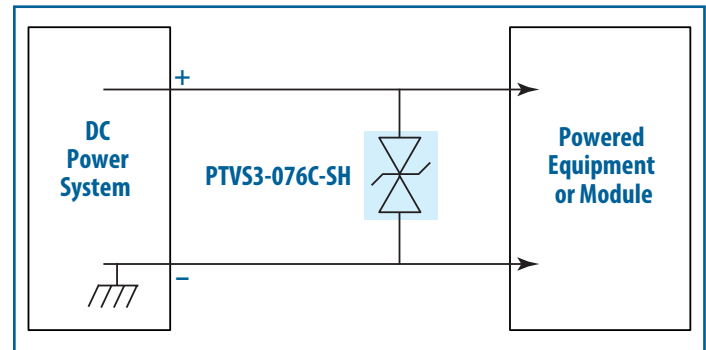


PTVS3-076C-SH

Design Kit



TEL-NOTEKIT-1



The schematic shown here illustrates the application protection and does not constitute the complete circuit design. Customers should verify actual device performance in their specific applications.

BOURNS®

For more information, go to:

www.bourns.com

or email: protection@bourns.com

Americas: Tel +1-951 781-5500
Fax +1-951 781-5700

EMEA: Tel +36 88 520 390
Fax +36 88 520 211

Asia-Pacific: Tel +886-2 256 241 17
Fax +886-2 256 241 16

COPYRIGHT© 2015 • BOURNS, INC. • 05/15 • PSG • XX/K1537
"Bourns" is a registered trademarks of Bourns, Inc.
in the U.S. and other countries.

Mouser Electronics

Authorized Distributor

Click to View Pricing, Inventory, Delivery & Lifecycle Information:

Bourns:

[TEL-NOTEKIT-1](#)